



3-Way Stem Valves

3-way valves are 2-way valves with the added function of exhausting the outlet when the valve is closed. When the stem is depressed, the valve is in the "on" position allowing air to flow from the inlet to the outlet while

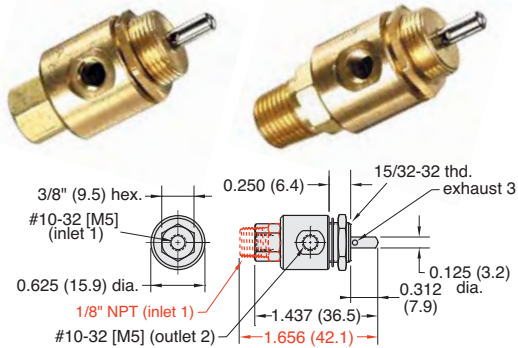
blocking the exhaust. Releasing the stem closes the inlet and opens the outlet to an exhaust port which vents the outlet to atmosphere. 3-way stem valves may have a poppet or spool and be Normally-Closed (N.C.) or Normally-Open (N.O.).

Medium: Air

Stem Travel: 1/8" (3.2)

Materials: Brass body, Buna-N seals, stainless steel stem and spring

Miniature 3-Way Poppet Valves



Input Pressure: 300 psig/21 bar max.

Air Flow: 4.0 scfm @ 50 psig; 6.8 scfm @ 100 psig;
170 l/min @ 6 bar

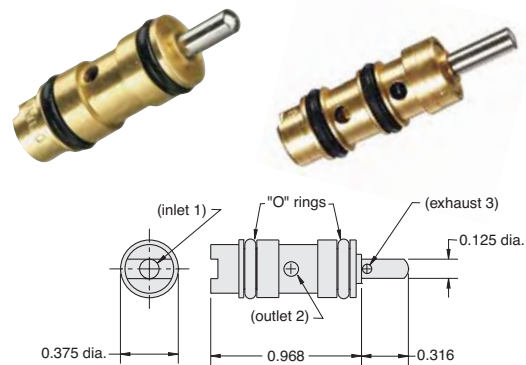
Force For Full Stem Travel: 24 oz. nominal

Mounting: 15/32-32 thread. Nut and lockwasher furnished.



Part No.	Description
MAV-3	Miniature Poppet Valve, #10-32
MAV-3-M5	Miniature Poppet Valve, M5
MAV-3P	Miniature Poppet Valve, 1/8" NPT

Miniature Cartridge Valves



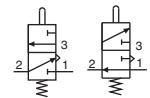
Input Pressure: 300 psig

Air Flow: 3.0 scfm @ 50 psig; 6.0 scfm @ 100 psig

Force For Full Stem Travel: 24 oz. nominal

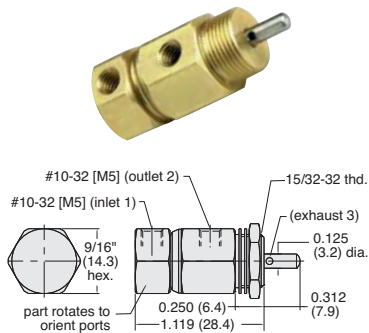
Mounting: Inserts into a 3/8" bore (0.375" 0.001")

Note: See page 105 for mounting details



Part No.	Description
MAV-3C	Normally-Closed Poppet Cartridge Valve
MAVO-3C	Normally-Open Spool Cartridge Valve

N.C. Poppet Valves with Rotatable Inlet



Input Pressure: 300 psig/21 bar max.

Air Flow: 4.0 scfm @ 50 psig; 6.8 scfm @ 100 psig;
170 l/min @ 6 bar

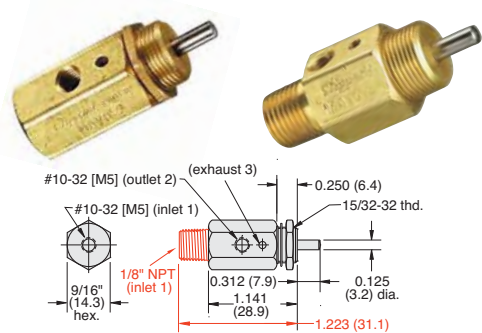
Force For Full Stem Travel: 24 oz. nominal

Mounting: 15/32-32 thread. Nut and lockwasher furnished.



Part No.	Description
MAV-3R	Normally-Closed Valve with Rotatable Inlet, #10-32
MAV-3R-M5	Normally-Closed Valve with Rotatable Inlet, M5

Normally-Open Spool Valves



Input Pressure: 150 psig/10 bar max.

Air Flow: 6.0 scfm @ 50 psig; 10 scfm @ 100 psig;
245 l/min @ 6 bar

Force For Full Stem Travel: 32 oz. nominal

Mounting: 15/32-32 thread. Nut and lockwasher furnished.



Part No.	Description
MAVO-3	Normally-Open Spool Valve, #10-32
MAVO-3-M5	Normally-Open Spool Valve, M5
MAVO-3P	Normally-Open Spool Valve, 1/8" NPT